

QUICK SPECS

Weight	3,836 lbs
Horsepower	14.5 HP
Max Dig Depth	7'7"

Work in tight work sites with ease.

YANMAR's ViO17-A, our 1.7-ton class mini excavator, is powered by a 14.5 HP Tier 4 Final YANMAR engine. It goes almost anywhere and works in tight spaces and narrow job sites. With true zero tail swing, it lets you complete your jobs with ease while working around walls, buildings or landscaping. Plus, with YANMAR'S unique retractable undercarriage, you can retract or extend when needed to give you additional flexibility.

INNOVATIVE FEATURES



True Zero Tail Swing

Take on more jobs in tighter spaces. With true zero tail swing technology, no part of the ViO17-A housing extends beyond the tracks, so you can work efficiently almost anywhere, with less damage to both the machine and the worksite. Plus, you'll enjoy better visibility for increased performance and safety.



Unbeatable Track And Undercarriage Flexibility

Tracks hydraulically retract to 37 inches for traveling through narrow passageways, and expand to 49 inches for greater stability while digging. Plus, the folding blade provides even more flexibility.



Pilot Joystick Controls

Joystick pilot controls with control pattern change come standard on the ViO17-A. The easy-to-access valve lets you switch from excavator to backhoe control in just seconds. The wrist control lever and ergonomically designed armrest provide comfortable, easy operation, designed to significantly reduce fatigue on long, tough workdays.



ViO17-A

POWERFUL, EFFICIENT
14.5 HP TIER 4 FINAL
YANMAR DIESEL
ENGINE

SPRING STEEL
CYLINDER ROD
GUARDS AND HOSE
PROTECTION

4-PILLAR ROPS/FOPS
CANOPY FOR SAFETY

INTEGRATED BOOM
LIGHT PROTECTED
FROM DAMAGE

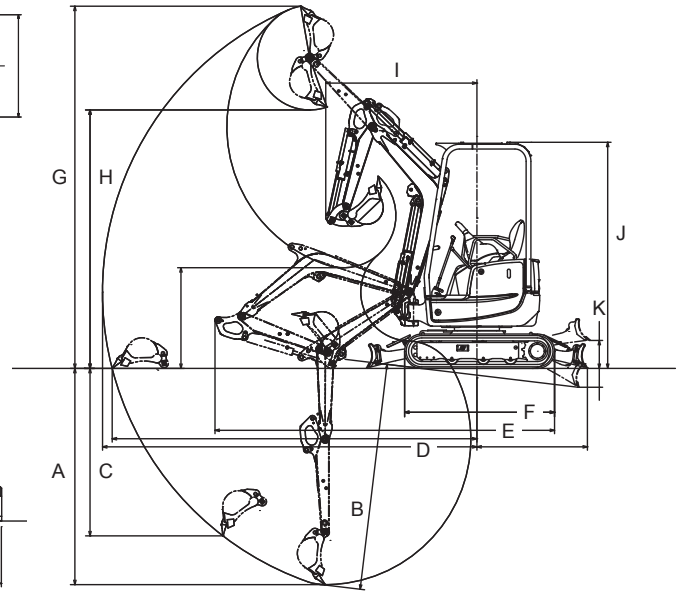
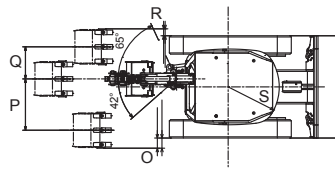
EASY MAINTENANCE
ACCESS TO EVERY
MAJOR COMPONENT

COMFORTABLE,
EASY ACCESS,
WALK-THROUGH
OPERATING STATION

UNOBSTRUCTED
VIEW ENHANCES
SAFETY

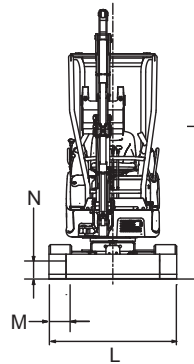


ViO17-A



Dimensions - ViO17-A

A 7'3" (2,200 mm)	K 10" (260 mm)
B 7'7" (2,310 mm)	L 3'1" (950 mm) / 4' 1" (1,280 mm)
C 6'8" (1,850 mm)	M 9" (230 mm)
D 12'2" (3,710 mm)	N 7" (175 mm)
E 11'4" (3,450 mm)	O 5" (125 mm)
F 5' (1,525 mm)	P 2'1" (640 mm)
G 12'1" (3,690 mm)	Q 1'4" (400 mm)
H 8'8" (2,630 mm)	R 3" (85 mm)
I 5' (1,525 mm)	S 2'1" (R640 mm)
J 7'7" (2,300 mm)	



Specifications

Model		ViO17-A	
Operating Weight	Rubber track	lbs (t)	3836 (1.74)
Engine	Type	-	Water-cooled 3-cylinder diesel
	Model	-	YANMAR 3TNV74F-SPBV
	Output	HP (kW)/rpm	14.5 (10.8) / 2,400
Performance	Max Digging Force, Bucket / Arm	lbs (kN)	3,418 (15.2) / 1,918 (8.5)
	Traveling Speed	MPH (km / h)	2.7 / 1.3 (4.3 / 2.1)
	Swing Speed	RPM	9.5
	Boom Swing Angle, (L / R)	degrees	42° / 65°
Ground Contact Pressure (Rubber Track)		PSI (kPa)	4.1 (28.6)
Hydraulic System	Pump Capacity	GPM (L / min)	4.6 + 4.6 + 3.5 + 2.6 (17.6 + 17.6 + 13.2 + 11.2)
	Main Relief Set Pressure	PSI (MPa)	2,986 (20.6) x 2, 2,417 (16.7) x 1, 427 (29) x 1
Blade Dimensions	Width x height	ft-in (mm)	4'2"7'3"1" x 9" (1,280/950 x 235)
Fuel tank capacity		Gals (L)	5.3 (20)

Standard Equipment

- Blade
- Boom Swing Function
- Rubber Tracks
- 2-way Pattern Control
- Arm End Auxiliary Valve
- Cylinder Rod Guards (boom, arm, bucket, blade)
- ROPS / FOPS canopy
- Joystick Pilot Controls
- Arm Rests (adjustable)
- High Back Seat
- Seat Belt
- Travel Levers and Pedals
- Traveling Alarm
- Built-in Boom Light
- Variable Track Width
- Operation Manual

Please note that the standard equipment may vary from this list. Consult your YANMAR dealer for confirmation.

Hydraulic PTO

Model	ViO17-A			
	Output	PSI (MPa)	GPM (L / min)	
			2,200RPM	1,250RPM
Specification				
Combined Flow, Double Actions		2,625 (18.1)	8.1 (30.8)	4.6 (17.5)

Lifting Capacity

LIFT POINT HEIGHT h:in (mm)	r:REACH in (mm)											
	RATED LIFT CAPACITY OVER END BLADE DOWN lbs (kg)				RATED LIFT CAPACITY OVER END BLADE UP lbs (kg)				RATED LIFT CAPACITY OVER SIDE BLADE UP lbs (kg)			
	MAX	98.5 (2,500)	78.7 (2,000)	MIN	MAX	98.5 (2,500)	78.7 (2,000)	MIN	MAX	98.5 (2,500)	78.7 (2,000)	MIN
(2,000)	749 (340)	705 (320)			496 (225)	694 (315)			518 (235)	694 (315)		
(1,500)	771 (350)	815 (370)	936 (425)		451 (205)	672 (305)	925 (420)		473 (215)	815 (370)	936 (425)	
(1,000)	804 (365)	992 (450)	1,311 (595)	1,466 (665)	407 (185)	628 (285)	903 (410)	1,157 (525)	440 (200)	650 (295)	959 (435)	1,212 (550)
(500)	826 (375)	1,157 (525)	1,631 (740)	2,028 (920)	407 (185)	617 (280)	859 (390)	1,036 (470)	440 (200)	650 (295)	914 (415)	1,102 (500)
(0)	859 (390)	1,212 (550)	1,686 (765)	2,314 (1,050)	418 (190)	584 (265)	804 (365)	1,146 (520)	451 (205)	628 (285)	848 (385)	1,091 (495)
(-500)	903 (410)	1,201 (545)	1,620 (735)		462 (210)	573 (260)	782 (355)		496 (225)	617 (280)	848 (385)	
(-1,000)	925 (420)		1,499 (680)		551 (250)		826 (375)		584 (265)		892 (405)	